



# CUBEX ARIES ITH DRILL

**FAST.  
EFFICIENT.  
RESPONSIVE.**

## THE PERFECT ITH SOLUTION

The Cubex Aries is an ITH drill unitised with an on-board booster. This drill is mounted on a mobile articulated carrier designed for high mobility and flexibility in underground mining operations.

### FEATURES

- Designed for a hole range from 90mm to 445mm diameter with hole lengths over 100m (760mm diameter with V30 Reamer)
- Capability to drill service, production and slot holes all with the one machine
- Capability to drill on a 360 degree rotation plane
- Articulated carrier designed for quick and flexible site set up
- Rod carousel and rod manipulator to eliminate manual handling associated with ITH drilling
- Purpose built support vehicle with Hiab crane
- In hole surveying available.

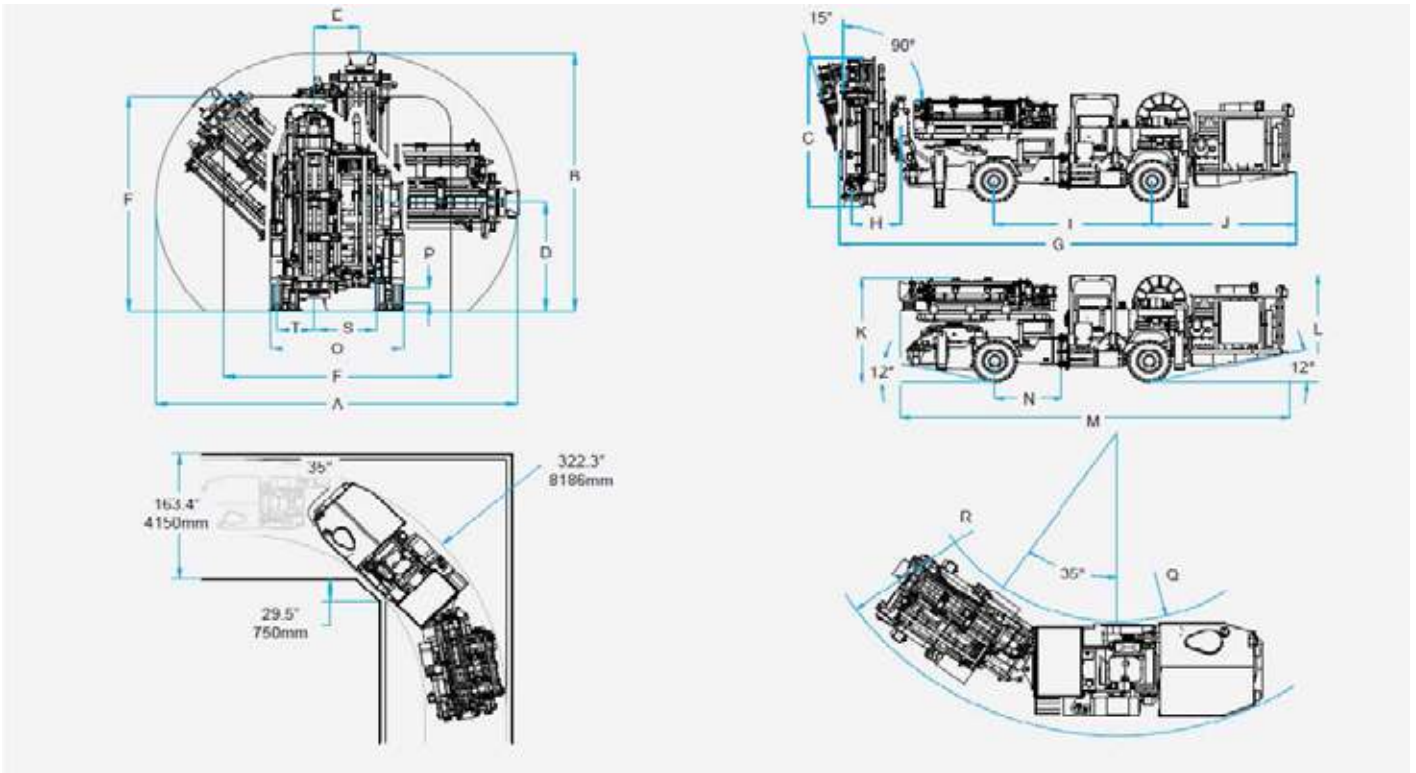
### INTEGRATED UNDERGROUND MINING SERVICES

- Mine development
- Production mining
- Cablebolting, production drilling and ITH drilling
- Raise boring wand specialist boxhole boring
- Shotcreting
- Plant and equipment hire.

**PYBAR**  
MINING SERVICES  
LEADERS IN UNDERGROUND MINING



## CUBEX ARIES ITH DRILL



### DIMENSIONS - DRILLING

Model	Units	Max. reach		Mast height	Pivot height	Max. reach	Min. drift	Length	Laser offset	Track length	Overhang	Drilling distance to wall	
		A	B	C	D	E	F	G	H	I	J	S	T
DU411 6ft rods	in	235.8	117.8	142	74.9	30	148	407.8	43.3	141.9	128.4	25.3	43.3
	mm	5989	4516	3607	1907	762	3759	10358	1250	3604	3261	1400	950

### DIMENSIONS - TRAMMING

Model	Units	Height		Length	Pivot	Width	Clearance	Min. radius	Max. radius
		K	L	M	N	O	P	Q	R
DU411 6ft rods	in	100	103	356.3	61.8	88	8.5	177.2	284.4
	mm	2540	2616	9050	1570	2235	216	4500	7225