



MUKI MICRO COMBO RIG

Suited to narrower mining

The MUKI Micro Combo rig is a specialist combined development and longhole drill suited to ultra narrow vein mining.

FEATURES:

- Drilling, rockbolting & longholing from 1.8mW x 3mH drives & stopes ^[1]
- 15m longholes up to 76mm using 1.2m, T38 or R32 rods
- 4WD heavy duty carrier - 1.05m width
- Stabilised tramming - oscillating rear axle
- Montabert HC 50 - 13kW drifter
- Electric/ hydraulic

^[1] Conversion to longhole config. in 6 hours

**FAST.
EFFICIENT.
RESPONSIVE.**

INTEGRATED UNDERGROUND MINING SERVICES

- Mine development
- Production mining
- Cable bolting, production drilling and ITH drilling
- Raise boring and specialist boxhole boring
- Shotcreting
- Plant and equipment hire.

PYBAR
MINING SERVICES
LEADERS IN UNDERGROUND MINING



CARRIER C22

4WD heavy duty carrier, articulated and rear axle oscillating 14°
 FOPS Canopy certified
 Deutz engine TD2011L04i Tier 3; 57 kW, air cooled
 Poclain / Sauer hydrostatic transmission, 4 wheel motor, one pump
 Service brake through hydrostatic transmission
 Parking brake SAHR
 Electric box IP64, 1000 volts, 60 / 50 Hz, ABB motor
 Four (4) tyres 7.50 x R15
 Jack (2) hydraulic jacks
 Cable reel - 60m

DRILL TRAIN

HC 50 (13 kW) Montabert drifter
 55 kW power pack, ABB motor, Rexroth A10V071 series
 Water pump 1.0 kW
 Compressor for drifter lubrication
 Manual parker directional control valves

TRAMMING SPEEDS

Horizontal: 7 km/h maximum speed
 Incline 15°: 5 km/h maximum speed

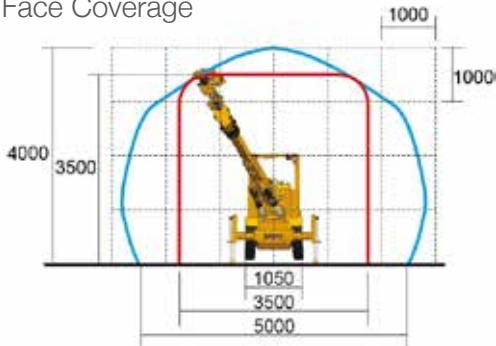
DEVELOPMENT CONFIGURATION



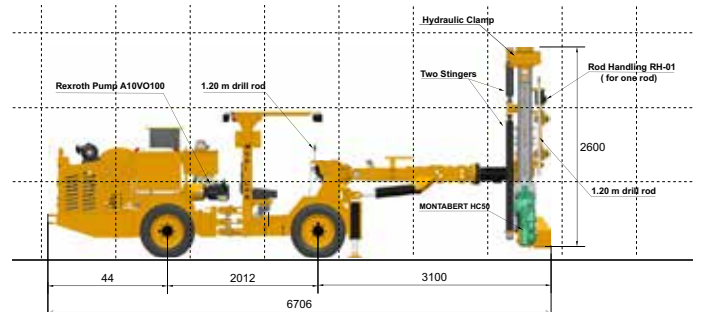
LONGHOLE CONFIGURATION



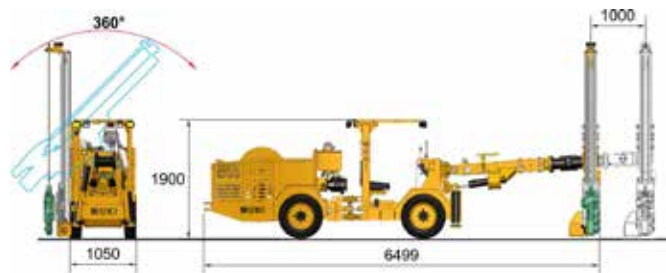
Face Coverage



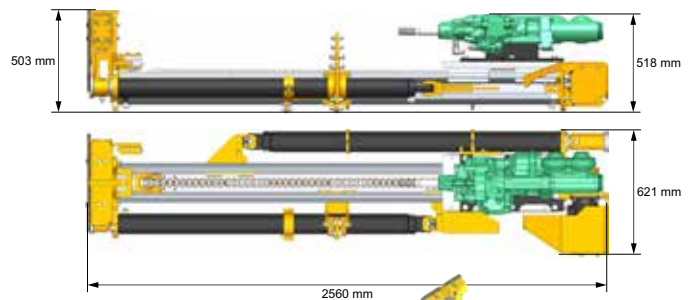
Dimensions



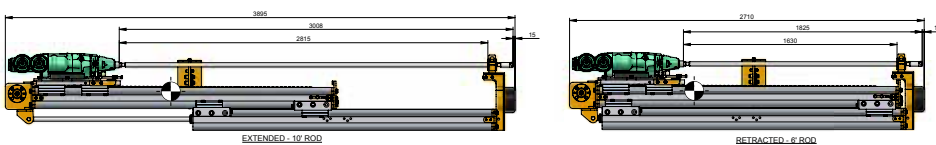
Dimensions



1.2m rod longhole feed specs



6'/10' split feed specs



PYBAR Mining Services
 1668-1670 Forest Road
 Orange NSW 2800

pybar@pybar.com.au
 P 02 6361 4499
 PYBAR.COM.AU

SAFETY
 SERVICE
 RESPECT
 RESULTS

